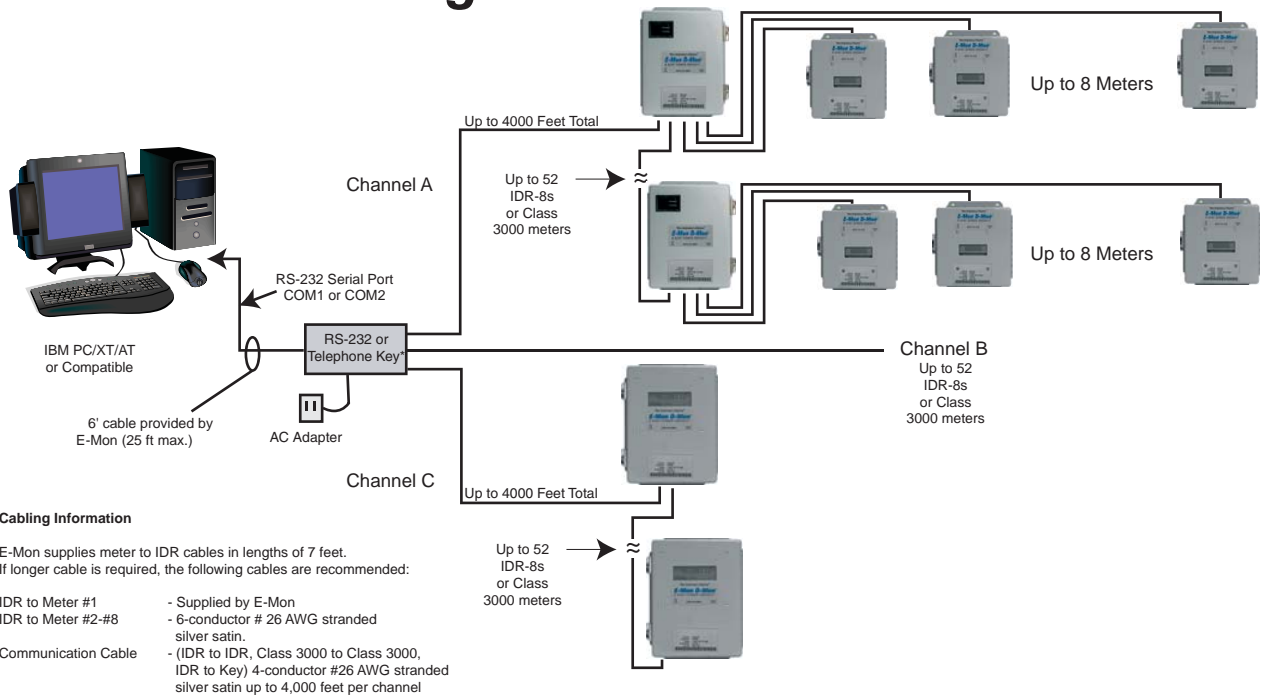


## On-Site Monitoring



## Off-Site Monitoring

